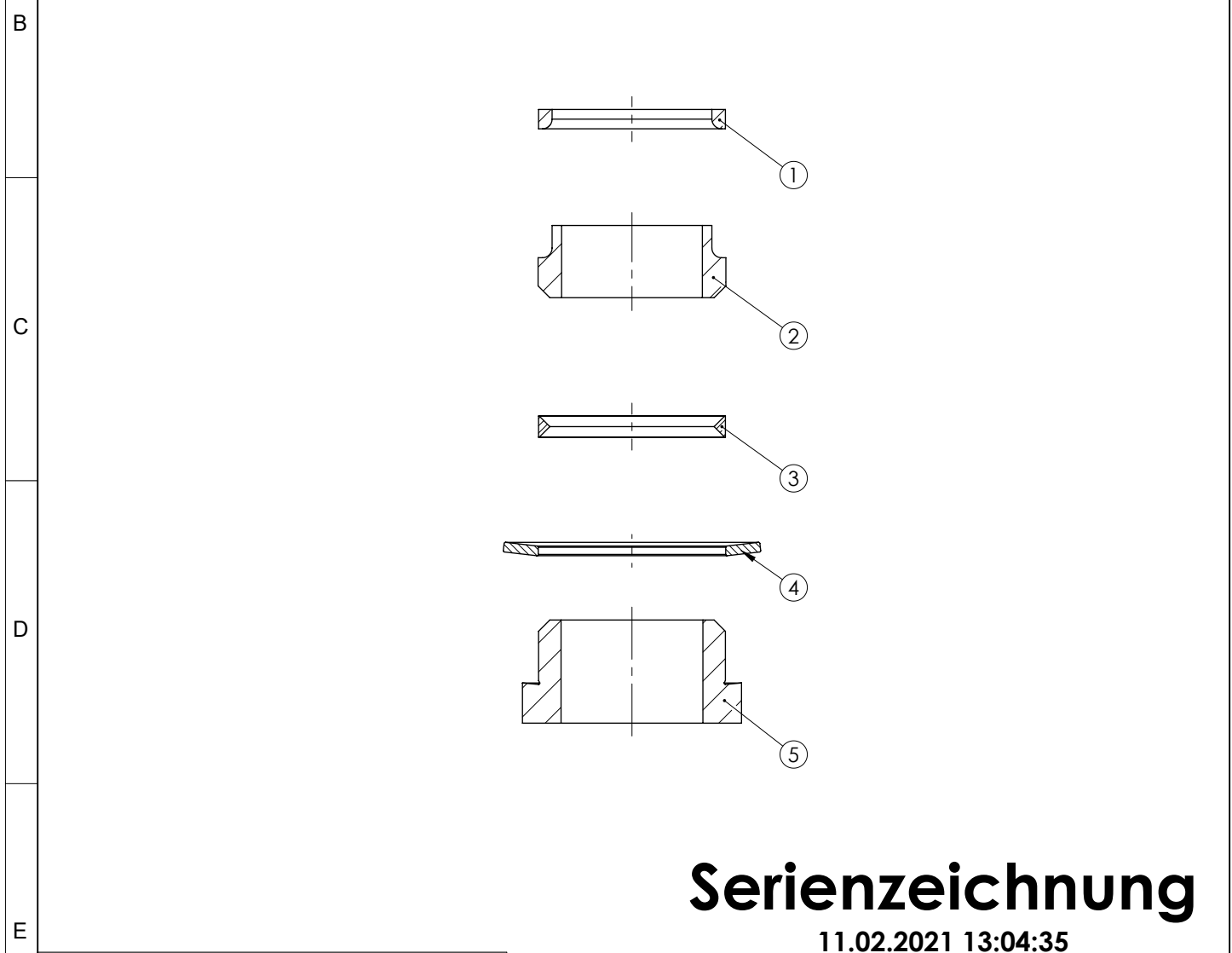


	1	2	3	4			
	Pos. item	Benennung/ description	SAP-Nr. SAP-no.	Menge piece	Zg. Nr. dwg. nr.	Rev.	Verschleißteil wear part
A	1	Quadring; quadring	4100028	1	CP-22-0103	0	X
	2	Dichtring ; sealing	4212491	1	CP-22-0683	0	X
	3	Stützring; back ring	5102059	1	CP-22-0012	5	X
B	4	Tellerfeder 40x20,4x1,5 bearbeitet; Disc spring 40x20,4x1,5 reworked	1215927	1	HT-22-0737	0	X
	5	Lagerbüchse; Bearing bush	5201104	1	CP-22-0682	0	X



Serienzeichnung

11.02.2021 13:04:35

Änderungen/Revisions					
Zulässige Abweichungen von Maßen ohne Toleranzangabe nach Tolerance of measures without indication according: DIN ISO 2768-m DIN EN ISO 13920 - CF		Gewicht/weight 0.06 kg		 BFT BFT GmbH Industriepark 24 A-8682 Hönigsberg info@bft-pumps.com www.bft-pumps.com	Maßstab scale 1:1 A4
erstellt/created smefra 20.01.2021	gespeichert/saved smefra 11.02.2021	genehmigt/approved P. Kügerl 11.02.2021			
Benennung/Description HD-Dichtungspaket			Material SAP Nr./Material SAP No. 1215847		Revision 1
HP sealing set			<input checked="" type="checkbox"/> Verschleißteil/Wearpart		Blatt/page 1/1

Dieses Dokument wurde elektronisch signiert. / This document was electronically signed.
 Das Original ist im Dokumentenmanagementsystem archiviert. / The original is archived in the document management system.

Private Information: This document contains BFT GmbH legal entity proprietary and confidential information that is legally privileged and is intended only for the person or entity to which it is addressed and any unauthorised use is strictly prohibited. It is provided for limited purpose and shall not be reproduced, stored electronically, transferred to other documents, disseminated or disclosed to any third parties without the prior written consent of the relevant BFT GmbH legal entity. Any attachments are subject to the specific restrictions and confidentiality regulations stated therein and shall be treated accordingly. The document is to be returned upon request and in all events upon completion of use for which it was provided.