



A Member of Dr. Aichhorn Group

Ersatzteilliste
spare part list

Blatt/page: 1/2

Revision/version: 6

Datum/date: 14.11.2019

Wasserstrahlventil

Water jet valve

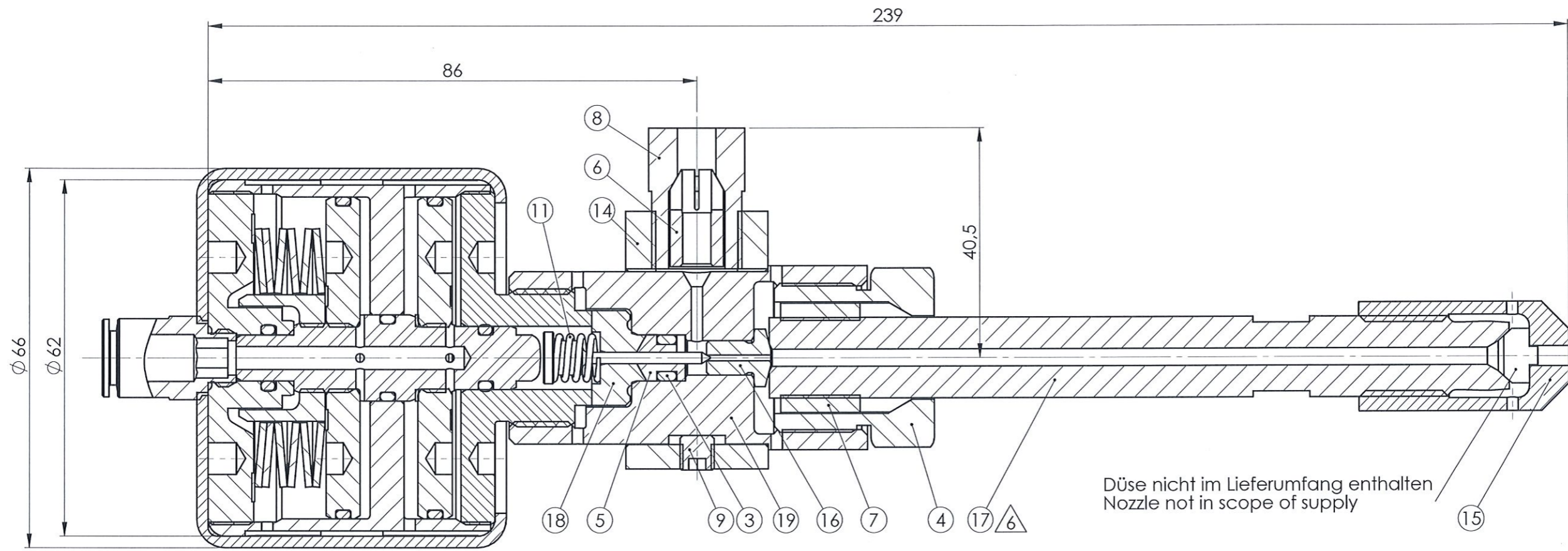
Zg. Nr./dwg. no.:

WJ-56-0018

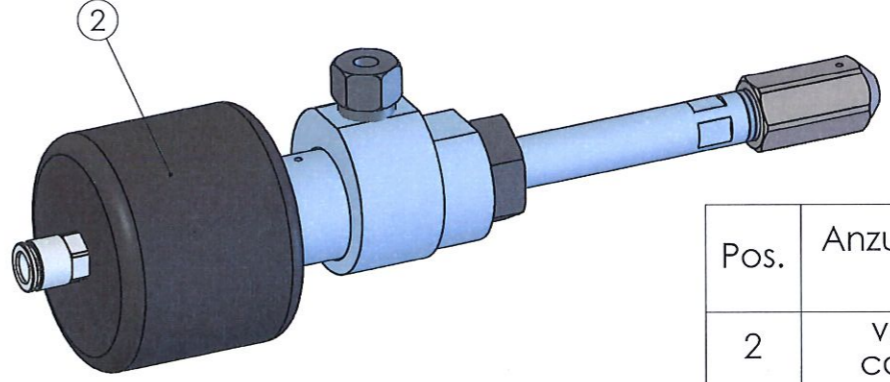
SAP Nr./SAP no.:

1204289

Pos. item	Benennung/ description	SAP-Nr. SAP-no.	Menge piece	Zg. Nr. dwg. nr.	Rev.	Verschleißteil wear part
1	Ventilspindel/ Valve stem mono	5200542	1	WJ-75-0022	4	X
2	Antriebsteil/ Actuator	1203454	1	WJ-56-0006	5	
3	O-Ring 4,3x2,4/ O-ring 4,3x2,4	4100175	1	-	0	X
4	Druckschraube/ Pressure screw	4100181	1	-	0	
5	HD-Dichtung/ HP-sealing	4100577	1	WJ-70-0009	6	X
6	Druckring/ Pressure ring	4100771	1	-	0	
7	Druckring/ Pressure ring	4100867	1	-	0	
8	Druckschraube/ Pressure screw	4101412	1	-	0	
9	Gewindestift M6x6/ threaded pin M6x6	4101541	1	-	0	
10	Stirnlochschlüssel gekröpft/ Face pin wrench cranked	4204701	1		0	
11	Druckfeder/ pressure spring	4204718	1		0	X
12	Montagewerkzeug Pneum. Antrieb/ Mounting tool pneum. actuator	4204998	1	WJ-56-0015	2	
13	Montagewerkzeug HD Dichtung/ Mounting tool HP sealing	4205348	1	WJ-56-0020	1	
14	Anschlussring/ connection ring	5102069	1	WJ-70-0067	5	
15	Düsenhalter/ Nozzle holder	5102112	1	WJ-70-0059	1	
16	Ventilsitz/ Valve seat	5200316	1	WJ-75-0014	1	X
17	Kollimationsrohr/ Collimation pipe	5200321	1	WJ-75-0008	2	X
18	Gegenhalter/ Counter part	5200514	1	WJ-75-0021	2	
19	Ventilgehäuse/ valve housing	5200710	1	WJ-56-0019	0	

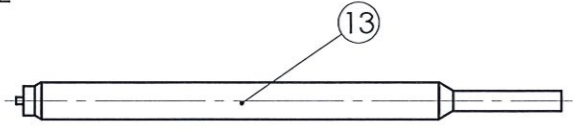


Düse nicht im Lieferumfang enthalten
Nozzle not in scope of supply

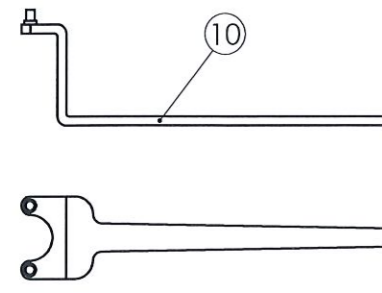


Pos.	Anzugsmoment / torque Nm / lbs.ft.
2	vorsichtig handfest carefully hand-tight
4	120 / 89
15	50 / 37

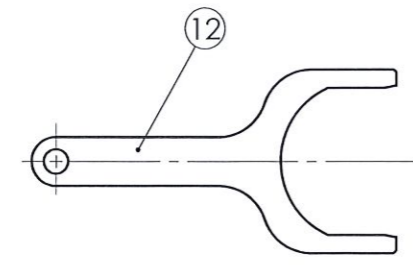
Maßstab 1:2



Maßstab 1:4



Maßstab 1:3



Serienzeichnung

14.11.2019 13:05:39

Rev.	Änderungsnr./ Revisionsno.	Datum/ date	gezeichnet/ drawn	geprüft/ approved
6	500 ... 1804	14.11.2019	Schneiders	Christiner
5	500 ... 1222	03.07.2018	F.Baier	Th.Christiner
4	500 ... 1048	02.03.2018	F.Baier	Th.Christiner
3	500 ... 951	05.12.2017	F.Baier	Th.Christiner
5	500 ... 900	03.11.2017	F.Baier	Th.Christiner
1	500000000890	25.10.2017	Pflanzl	Christiner

Änderungen/Revisions

Zulässige Abweichungen von Maßen ohne Toleranzangabe nach
Tolerance of measures without indication according to:
DIN ISO 2768-m DIN EN ISO 13920 - CF

Gewicht/weight
2,1 kg

	Datum/date	Name/name
gezeichnet/drawn	23.05.2017	Pflanzl
genehmigt/approved	23.05.2017	Th.Christiner

Benennung/Description
Wasserstrahlventil
Water jet valve



A Member of Dr. Aichhorn Group
Zeichnungs-Nr./drawing No.
WJ-56-0018

Material SAP Nr./Material SAP No.
1204289

○ Verschleißteil/Wearpart

Maßstab
scale
1,5:1
A3

Revision
6

Blatt/page
2/2

Dieses Dokument wurde elektronisch signiert. / This document was electronically signed.
Das Original ist im Dokumentenmanagementsystem archiviert. / The original is archived in the document management system.
Private Information: This document contains BFT GmbH legal entity proprietary and confidential information that is legally privileged and is intended only for the person or entity to which it is addressed and any unauthorised use is strictly prohibited. It is provided for limited purpose and shall not be reproduced, stored electronically, transferred to other documents, disseminated or disclosed to any third parties without the prior written consent of the relevant BFT GmbH legal entity. Any attachments are subject to the specific restrictions and confidentiality regulations stated therein and shall be treated accordingly. The document is to be returned upon request and in all events upon completion of use for which it was provided.